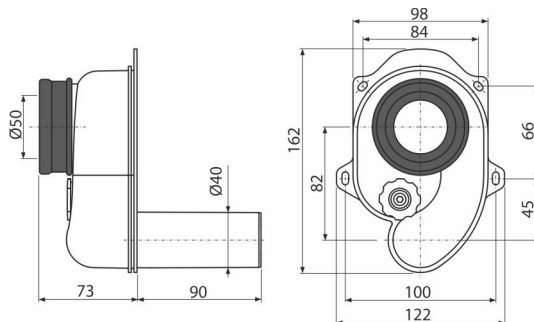
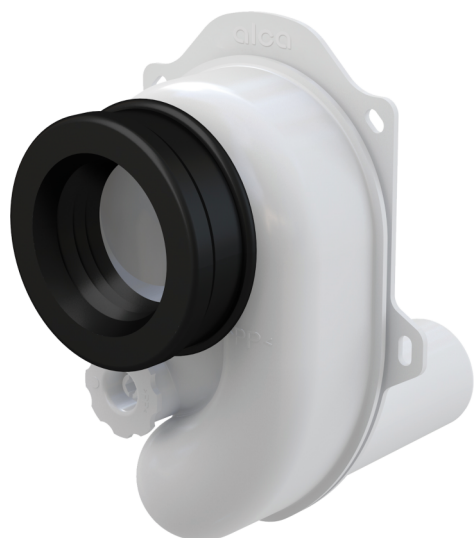


A45B

Urinal trap horizontal outlet DN40



Application

For urinal with rear outlet
For installation into the wall

Features

- Material: polypropylene
- Connection to waste pipe $\varnothing 40$ mm
- Connection to urinal $\varnothing 50$ mm
- Rings for fixing at the installation site
- Self-cleaning design of trap
- Service access for easy cleaning
- Horizontal outlet
- High flow rate

Scope of supply

- Waste and trap body with cleaning aperture
- Wrapping seal

Order number, Logistic information

Code	EAN	Weight (piece packing palett)	Dimensions (piece packing)	Quantity (packing palett)
A45B	8594045937596	0,20 4,93 158,1 kg	170x130x170 590x240x390 mm	25 700 pcs

Warranty
2/3 years *

Customs code
39229000

Norms
EN 274

Technical specifications

- Flow rate 42 l/min